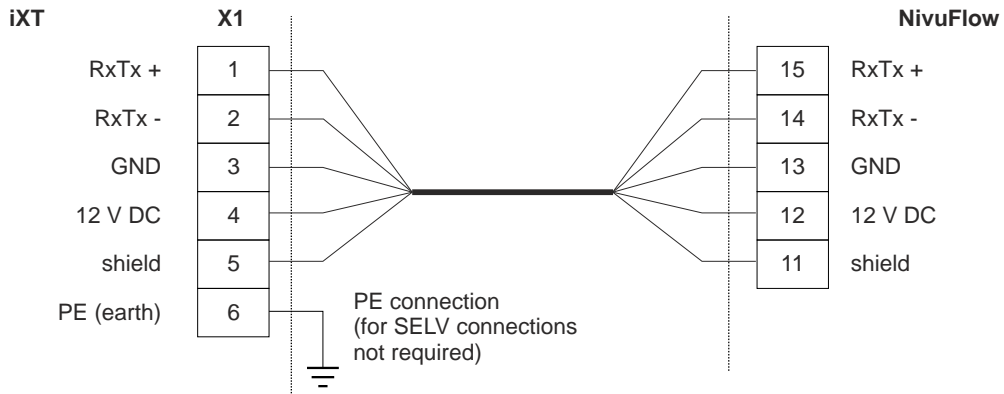
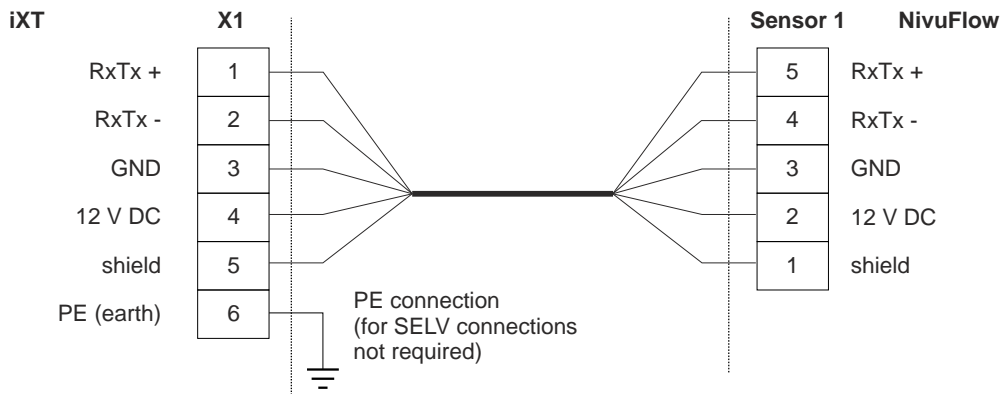


**Connection iXT 2xx / 4xx via clamp strip X1 to the NivuFlow with sensor card small**




**Connection iXT 2xx / 4xx via clamp strip X1 to the sensor slot 1 of NivuFlow with sensor card large**



**Note: Transmitter installation outside of Ex zone!**

Specifications are subject to change.

	Datum date	Name name	Maßstab	Zeichnungs Nr. - drawing No.	
gezeichnet drawn	23.12.14	DMR	Format	iXT0-TZ-04-en / 1400	
geprüft checked	23.12.14		A4	Benennung - Description	
Nur für intern!	<input type="radio"/>	Blatt 1	von 1	Seperation interface iXT connection to the measurement transmitter NivuFlow	